

**Air turbin at 58.000 rpm for micromachining.  
BT 30 spindle - automatic tool changer**



**TURBODRILL**

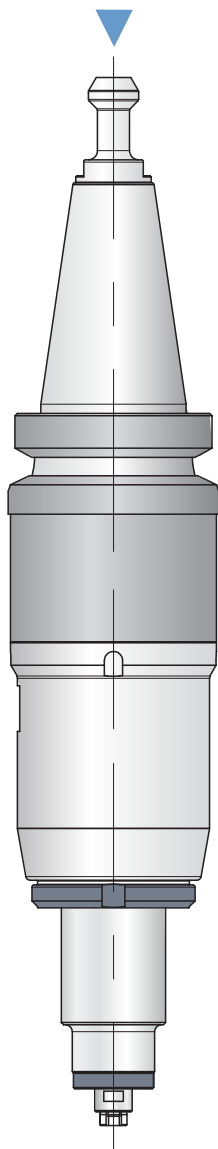
air drive

equipment for ROBODRILL

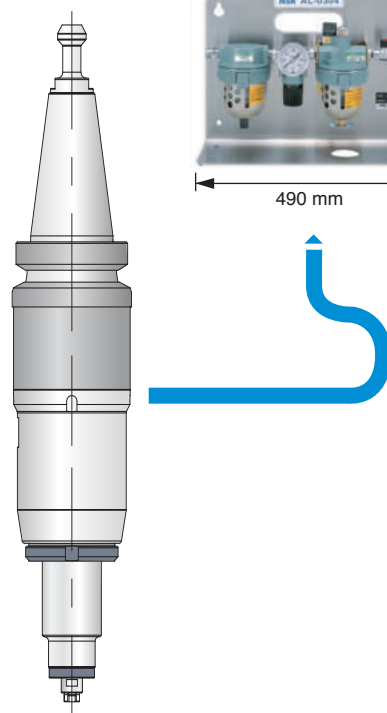
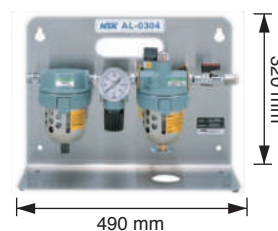


# TURBODRILL Up to 60.000 RPM

Air input from shank max.6 Bar



## Air line kit



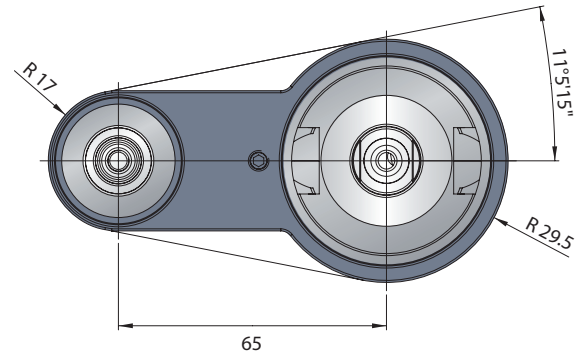
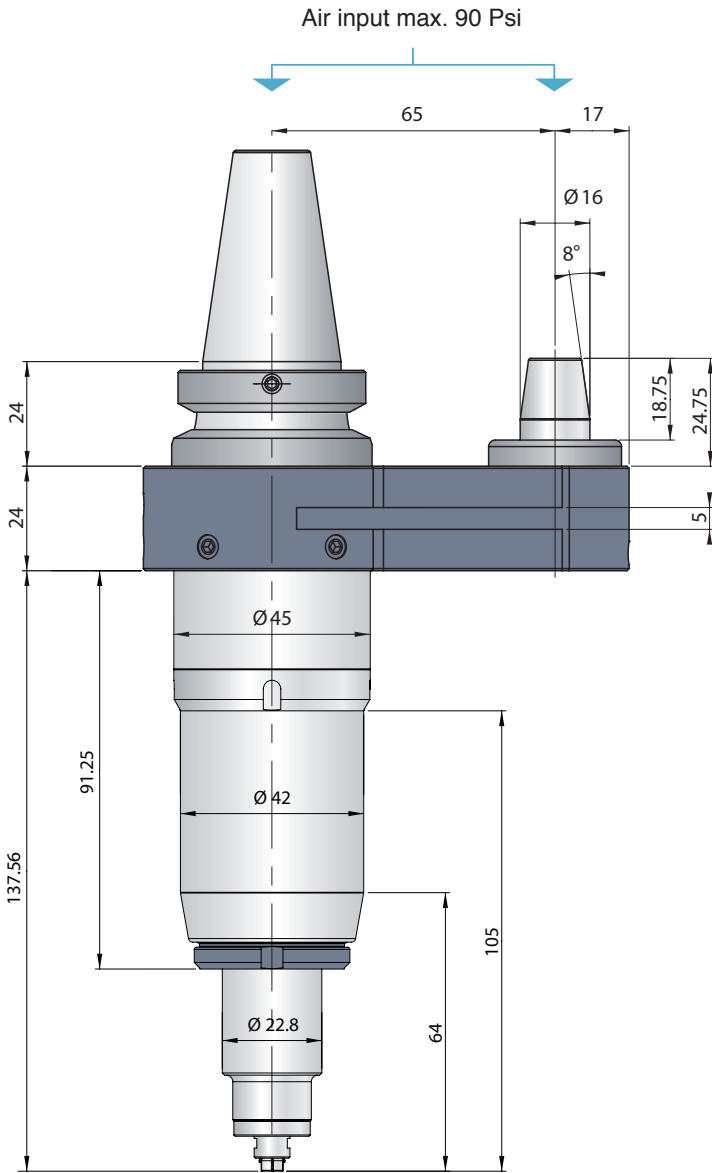
Air line Kit

Technical Data		NR-601
RPM max.	min <sup>-1</sup>	58.000
Type motor		AM-600
Collet	mm	CHM ø3
Power	W	76
Rotation		AM-600 RA Right, AM-600 LA Left
Air pressure	bar	max. 6 (max. 90 Psi)
Air consumption	NI/min	160
Type Spindle		NR-601
Weight	Kg	2

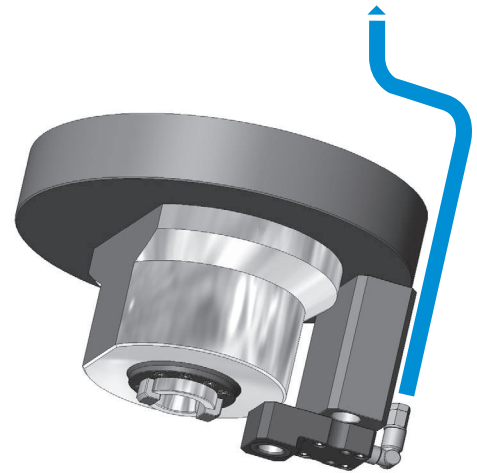
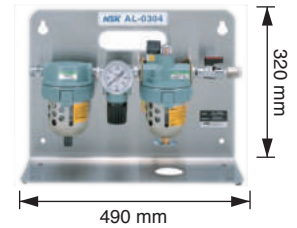
## Accessories

Collet	mm	CHM: ø0,3 ,ø3 every 0,1 and ø2,35, ø3,175
Air line kit		AL-0304
Retaining block		Special stop block w/air stop valve

# TURBODRILL Up to 58.000 RPM



## Air line kit



Retaining block / Air line Kit

Technical Data		NR-601
RPM max.	min <sup>-1</sup>	58.000
Type motor		AM-600
Collet	mm	CHM ø3
Power	W	76
Rotation		AM-600 RA Right, AM-600 LA Left
Air pressure	bar	max. 6 (max. 90 Psi)
Air consumption	NI/min	160
Type Spindle		NR-601
Weight	Kg	2

## Accessories

Collet	mm	CHM: ø0,3 , ø3 every 0,1 and ø2,35, ø3,175
Air line kit		AL-0304
Retaina block		Special stop block w/air stop valve

STANDARD EQUIPMENT INCLUDES: NAKANISKI KIT / Angle head / Collet / Wrenches / Oil tube / Instruction book

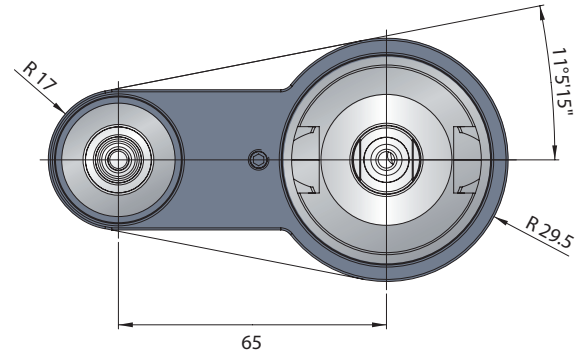
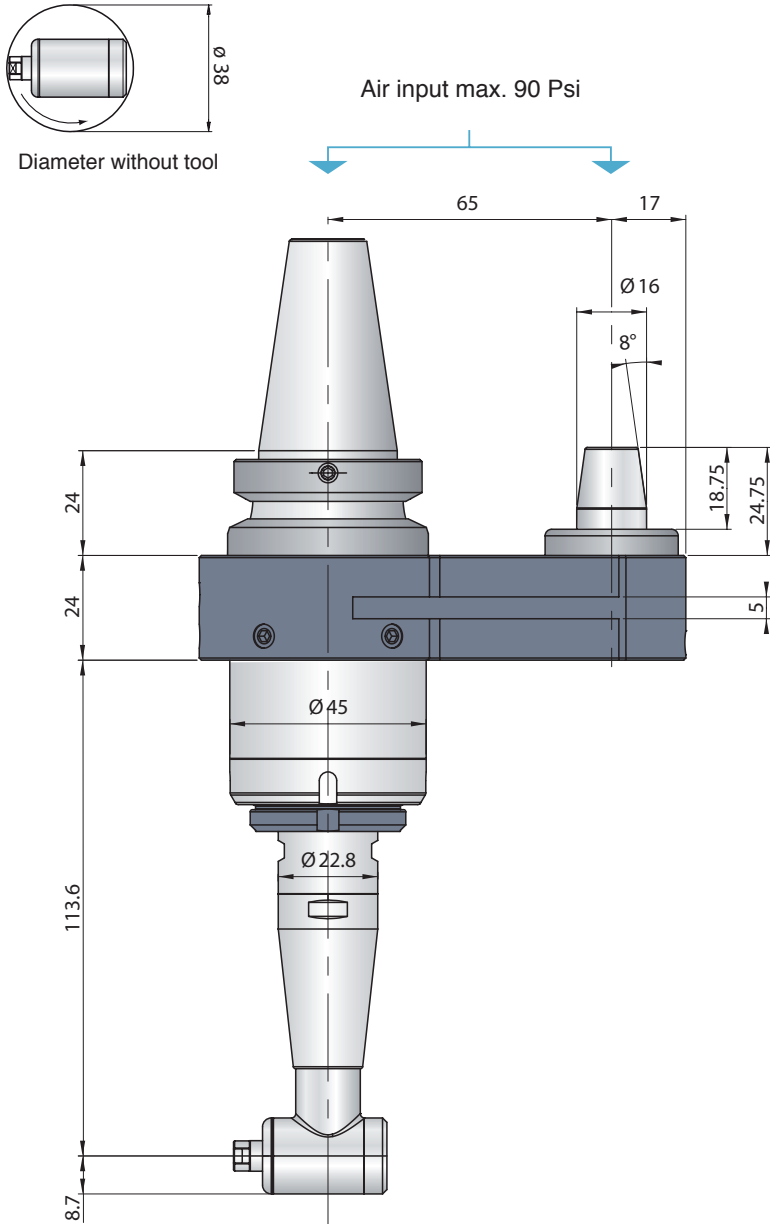


In case of air through the spindle please use special pull stud!!!

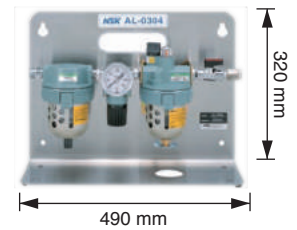
# TURBODRILL Up to 30.000 RPM



Via Gorizia, 37  
21047 Saronno (VA)  
Italy  
Tel. +39 02 96 703 586  
Fax +39 02 96 703 620  
info@albertiumberto.it



## Air line kit



Retaining block / Air line Kit

Technical Data		RA-200
Input RPM max.	min <sup>-1</sup>	30.000
Type motor		AM-310
Collet	mm	CHS $\varnothing 3$
Power	W	108
Rotation		AM-310 RA Right, AM-310 LA Left
Air pressure	bar	max. 6 (max. 90 Psi)
Air consumption	NI/min	226
Type Spindle		RA-200
Output RPM	min <sup>-1</sup>	20.000
Rt. reduction		1/1,5
Weight	Kg	2

STANDARD EQUIPMENT INCLUDES: NAKANISKI KIT / Angle head / Collet / Wrenches / Oil tube / Instruction book

## Accessories

Collet	mm	CHS: $\varnothing 0,8$ , $\varnothing 3$ every 0,1 and $\varnothing 2,35$ , $\varnothing 3,175$
Air line kit		AL-0304
Retaing block		Special stop block w/air stop valve



In case of air through the spindle please use special pull stud!!!