
TURCON[®] VARISEAL[®] HF



- Axial sealing -
- For high pressure sealing and high temperature sealing -

- Turcon[®] -

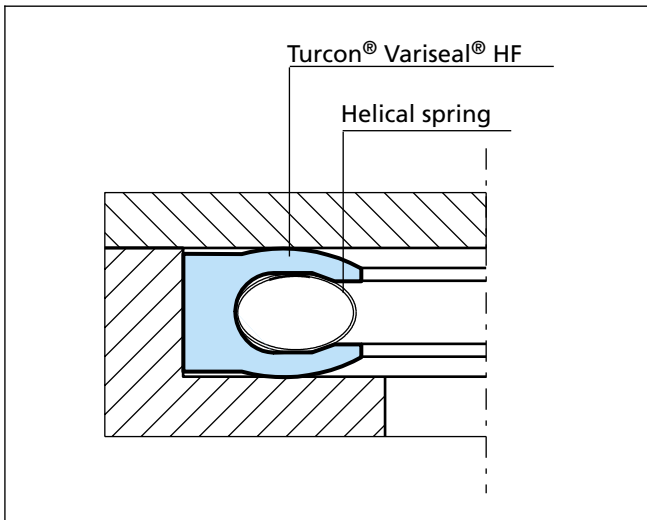




■ Turcon® Variseal® HF

Description

Turcon® Variseal® HF is the standard seal for axial (face) applications. The seal has the same high sealing load as Variseal® H and is available for both internal and external pressure. The use of the heavy helical spring makes Variseal® HF the best choice for vacuum, gas, and low temperature flange and cover applications.



Advantages

- High sealing pressure
- Excellent sealability in gas and fluid applications
- Can handle rapid changes in temperature
- Good sealability on non-ideal surfaces
- Easy installation
- Unlimited shelf life

Technical data

- Operating pressure: Max. static load:
80 MPa
- Speed: Static to slow rotating or pivoting movements
- Temperature: -200 °C to +260 °C
- Medium: Virtually all fluids, chemicals and gases
- Note: Please contact us for applications outside these permissible application parameters.

Figure 45 Turcon® Variseal® HF

Table XXXIX Installation dimensions

Series No.	Groove outside diameter		Groove width b4	Groove depth		Radius r1
	d7 H11			h	Tol.	
	Recommended range	Extended range ¹⁾	min.			max.
DVE0	10 - 13.9	10 - 40	2.4	1.45	+0.03	0.4
DVE1	14 - 24.9	13 - 200	3.6	2.25	+0.05	0.4
DVE2	25 - 45.9	18 - 400	4.8	3.10	+0.08	0.6
DVE3	46 - 124.9	28 - 700 *	7.1	4.70	+0.1	0.8
DVE4	125 - 999.9 **	45 - 1,000 **	9.5	6.10	+0.15	0.8
DVE5	1,000 - 2,500 ***	110 - 2,500 ***	15.0	9.50	+0.2	0.8
DVL0	3 - 9.9	3 - 40	2.4	1.45	+0.03	0.4
DVL1	10 - 19.9	8 - 200	3.6	2.25	+0.05	0.4
DVL2	20 - 39.9	12 - 400	4.8	3.10	+0.08	0.6
DVL3	40 - 119.9	20 - 700 *	7.1	4.70	+0.1	0.8
DVL4	120 - 999.9 **	35 - 1,000 **	9.5	6.10	+0.15	0.8
DVL5	1,000 - 2,500 ***	80 - 2,500 ***	15.0	9.50	+0.2	0.8

* For diameters above 600 mm b₄ min. = 8.0 mm
 ** For diameters above 600 mm b₄ min. = 11.0 mm
 *** For diameters above 1000 mm b₄ min. = 18.0 mm

¹⁾ Available on request



■ Installation recommendations for Turcon® Variseal® HF flange seals for internal pressure

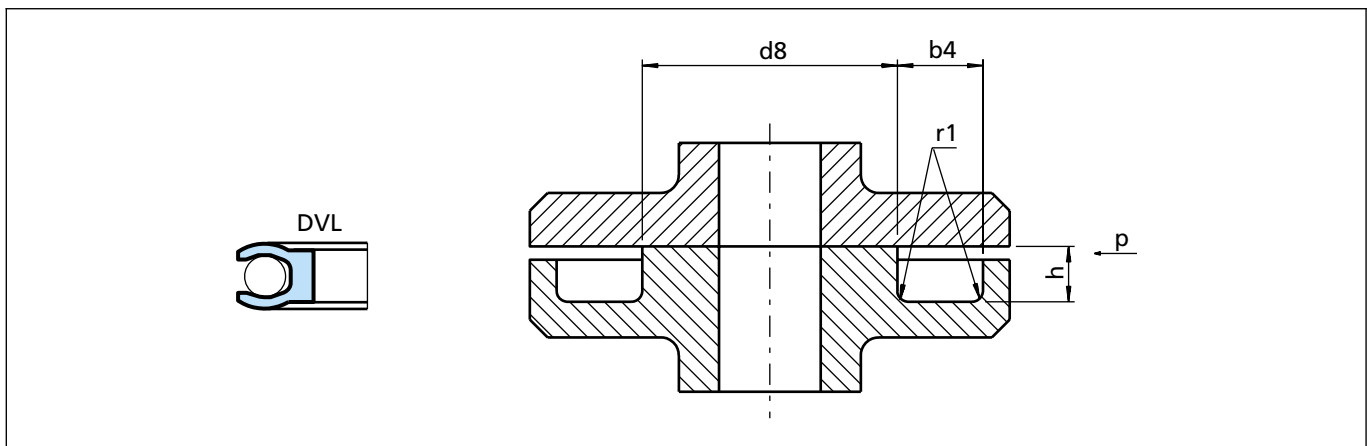
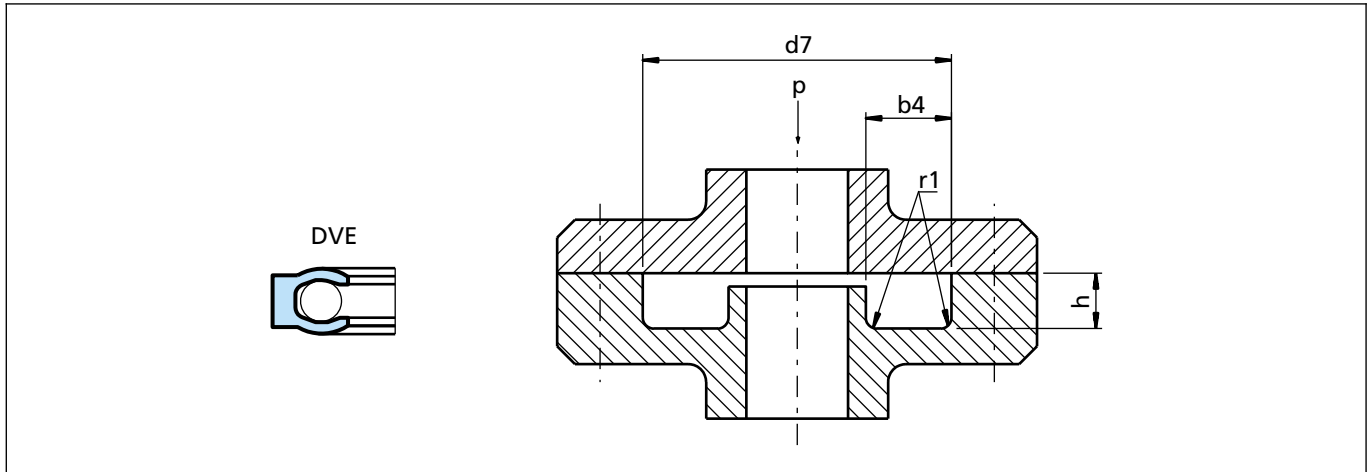


Figure 46 Installation drawing

Ordering example

Turcon Variseal® HF for internal pressure, Series DVE3
 Groove outside diameter: $d7 = 80.0 \text{ mm}$
 TSS Part No.: DVE300800
 * For diameters $\geq 1,000 \text{ mm}$ multiply only by factor 1.
 Example: DVE5 for diameter 1200 mm.
 TSS Article No.: DVE5X1200 - T05S.

Standard materials

Seal ring: Material code **T05**
 Spring material: Spring code **S**
 (stainless steel),
 Material No. 1.4310 (AISI 301)

TSS Article No.	DVE3	0	0800	-	T05	S
TSS Series No.						
Type (Standard)						
Groove out. diam. x 10*						
Quality index (Standard)						
Material code - Seal ring						
Material code - Spring						

For further details in Turcon® Variseal® HF, please refer to our Variseal catalogue.